

# NEWALL

## Kit Contents Lathe Bracket Kit 3 - Metric Part No: LBK03-M

This kit mounts two Microsyn/MHG Series Reader Heads.



ED-2768/10  
Angle 3x3" (1)



ED-2768/2  
Flat Plate Slotted (1)



294-35540  
Micro Angle (1)



294-35550  
Micro Plate (1)

- M5 x 16 Cap Head Screw (1)
- Single End Mount (1)

- Cable Clamp (6)
- M5 Washer (1)

- Cable Ties (10)

- M6 x 25 Cap Head Screw (2)
- M4 x 25 Cap Head Screw (4)
- M4 x 20 Cap Head Screw (4)
- M6 Washer (10)




- M3 x 16 Cap Head Screw (1)
- M3 x 8 Grub Screw (4)

- M4 x10 Self Tapping Screw (6)
- M4 x10 Cap Head Screw (6)

- M6 x 20 Cap Head Screw (10)
- M4 x 12 Grub Screw (4)
- M6 Nut (2)
- M4 x 10 Cap Head Screw (4)
- M4 Washer (4)



note: some modification of brackets may be necessary during installation.

				TITLE. <i>KIT CONTENTS LBK03-M</i>			MATERIAL/FINISH. -----		SCALE N/A	UNLESS OTHERWISE STATED: - TOLERANCES: - 0 DECIMAL PLACES ±0.5 1 DECIMAL PLACE ±0.2 2 DECIMAL PLACES ±0.1 ANGULAR ±1°			
7	10/03/15	9451	CHANGED TO METRIC KIT	CWh	DRAWN C.WHITMORE	08-01-14	 Leicester England		SHEET 1 OF 1	DRAWING NUMBER	023-81920	REV. ISS.	1
REV.ISS.	DATE	C.N.No.	ALTERATION	CHECKED	APPROVED	THIS DRAWING IS THE PROPERTY OF NEWALL MEASUREMENT SYSTEMS LIMITED. THE INFORMATION THEREON MAY NOT BE COPIED OR USED WITHOUT WRITTEN PERMISSION							

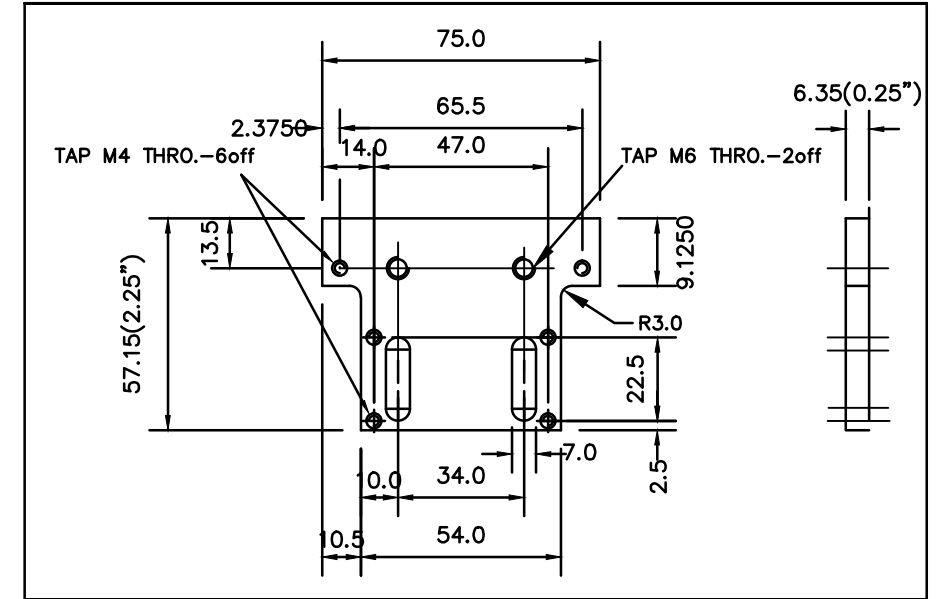
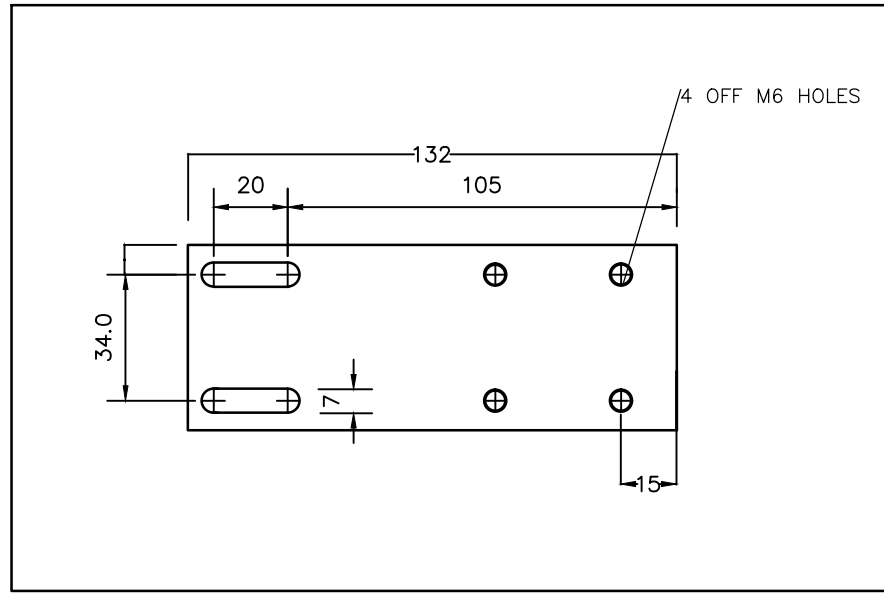
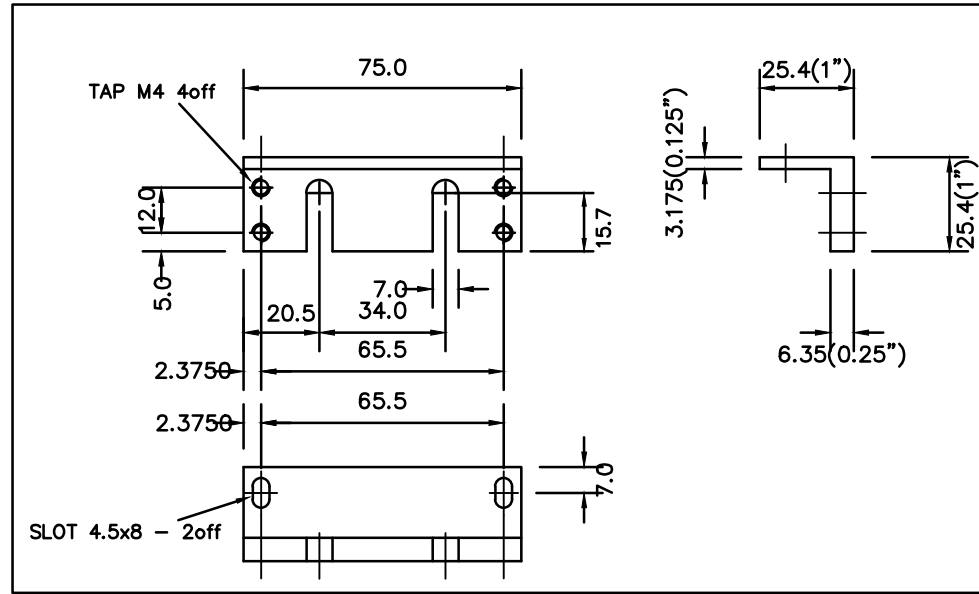
# NEWALL

## Kit Contents Lathe Bracket Kit 3 - Metric Part No: LBK03-M

294-35540  
Micro Angle (1)

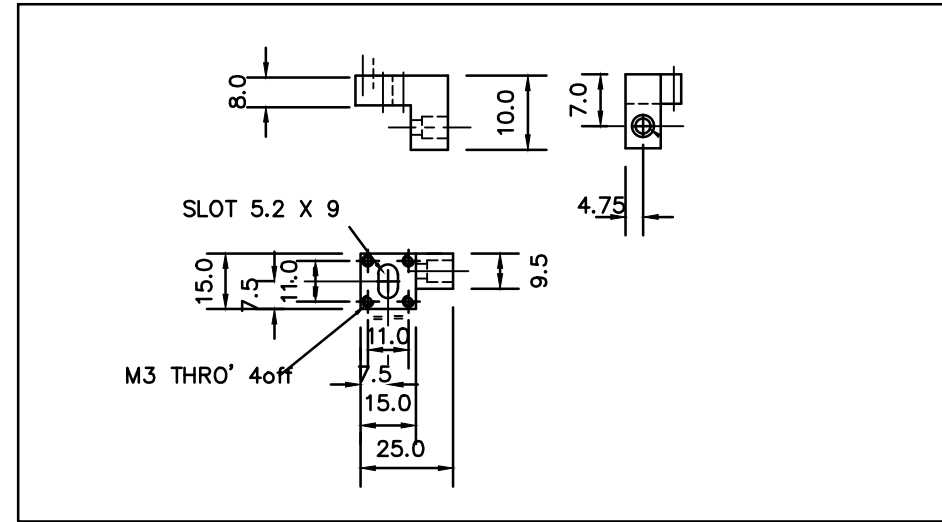
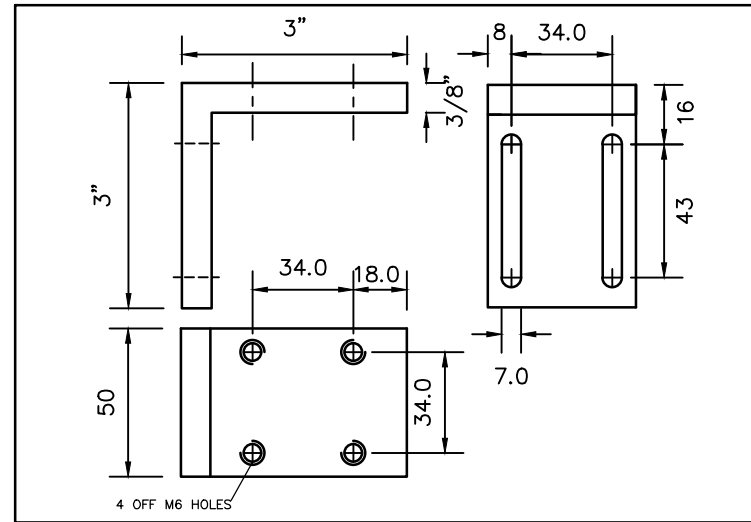
ED-2768/2  
Flat Plate Slotted (1)


294-35550  
Micro Plate (1)



ED2768/10  
Angle 3x3" (1)

294-39910  
Single End Mount (1)

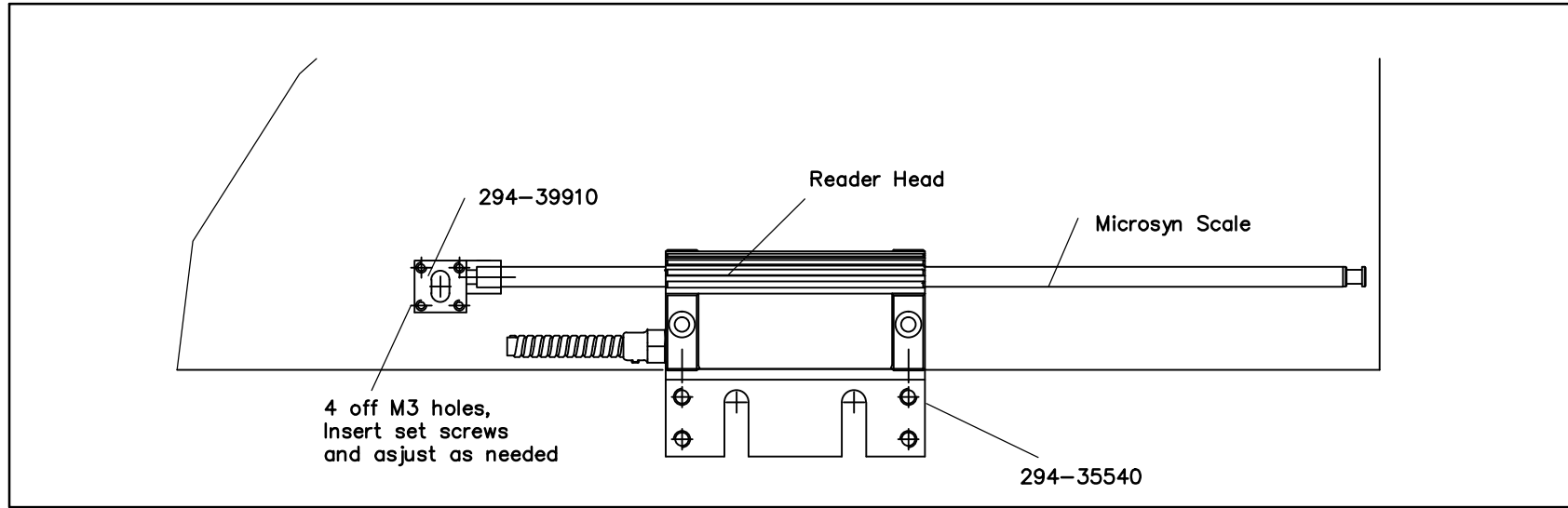


			TITLE: <u>KIT CONTENTS LBK03-M</u>			MATERIAL/FINISH: -----			SCALE: N/A			UNLESS OTHERWISE TOLERANCES: - 0 DECIMAL PLACES ±0.5 STATED: - 1 DECIMAL PLACE ±0.2 DIMENSIONS ARE IN M.M. 2 DECIMAL PLACES ±0.1 ANGULAR ±1°		
7	10/03/15	9451	CHANGED TO METRIC KIT	CWh	DRAWN C.WHITMORE	08-01-14	 Leicestershire England THIS DRAWING IS THE PROPERTY OF NEWALL MEASUREMENT SYSTEMS LIMITED. THE INFORMATION THEREON MAY NOT BE COPIED OR USED WITHOUT WRITTEN PERMISSION.			SHEET 1 OF 1	DRAWING NUMBER 023-81920	REV. ISS. 1	1	
REV.ISS.	DATE	C.N.No.	ALTERATION		CHECKED	APPROVED								

# NEWALL

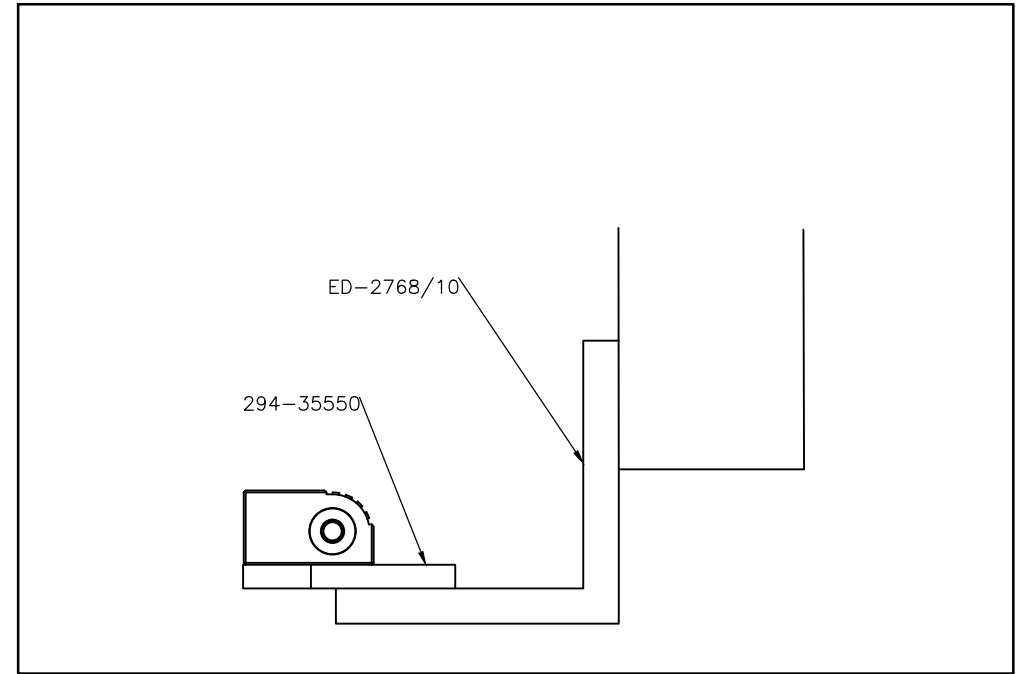
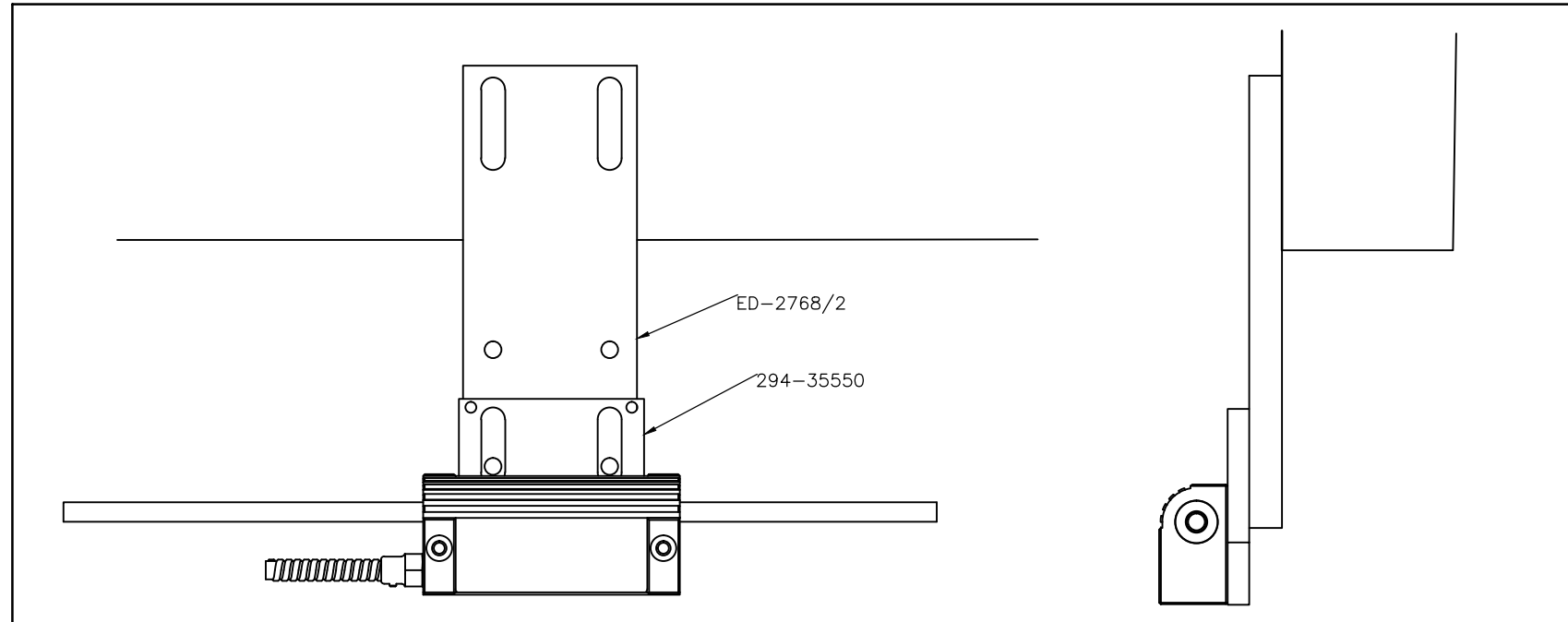
## Kit Contents Lathe Bracket Kit 3 - Metric Part No: LBK03-M


Cross Slide (X-axis)



Longitudinal Axis (Z-axis)-Method 1

Longitudinal Axis (Z-axis)-Method 2



				TITLE. <i>KIT CONTENTS LBK03-M</i>		MATERIAL/FINISH. -----		SCALE N/A		UNLESS OTHERWISE STATED: - TOLERANCES: - 0 DECIMAL PLACES ±0.5 1 DECIMAL PLACE ±0.2 2 DECIMAL PLACES ±0.1 ANGULAR ±1'	
7	10/03/15	9451	CHANGED TO METRIC KIT	CWh	DRAWN C. WHITMORE	08-01-14	 England THIS DRAWING IS THE PROPERTY OF NEWALL MEASUREMENT SYSTEMS LIMITED. THE INFORMATION THEREON MAY NOT BE COPIED OR USED WITHOUT WRITTEN PERMISSION		SHEET 1 OF 1	DRAWING NUMBER 023-81920	REV. ISS. 1
REV. ISS.	DATE	C.N.No.	ALTERATION	CHECKED	APPROVED	Leicester					