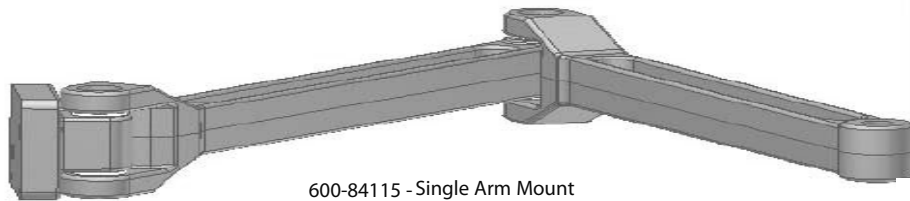


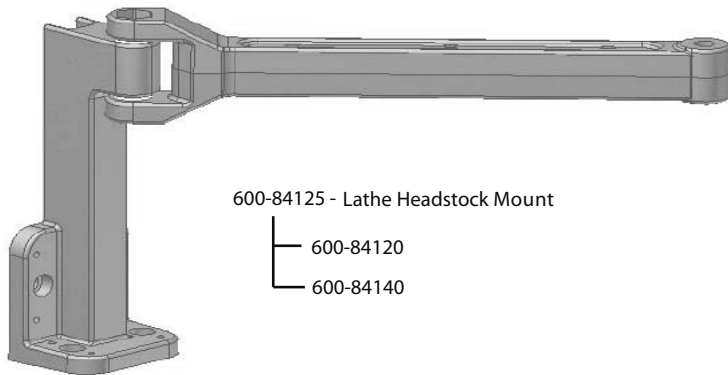
Display Mounting Arms For Newall Readouts

Newall's new mounting arms provide a sturdy and attractive way of fixing the readout to a machine. The arms incorporate cable management to make installation easier and decrease the possibility of cable snags.



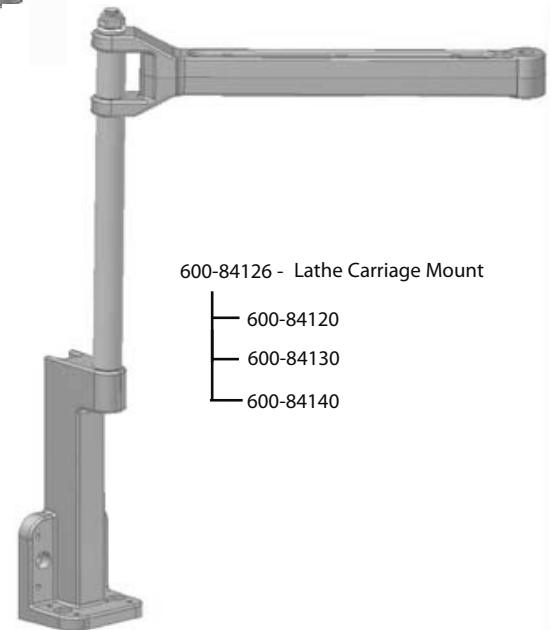
600-84115 - Single Arm Mount

- 600-84110
- 600-84140



600-84125 - Lathe Headstock Mount

- 600-84120
- 600-84140



600-84126 - Lathe Carriage Mount

- 600-84120
- 600-84130
- 600-84140

Specification

- » High pressure die cast aluminum construction
- » Durable polyester powder painted
- » Imperial and metric mounting screws supplied
- » Jacking points supplied for alignment purposes
- » Compatible with all Newall DRO equipment

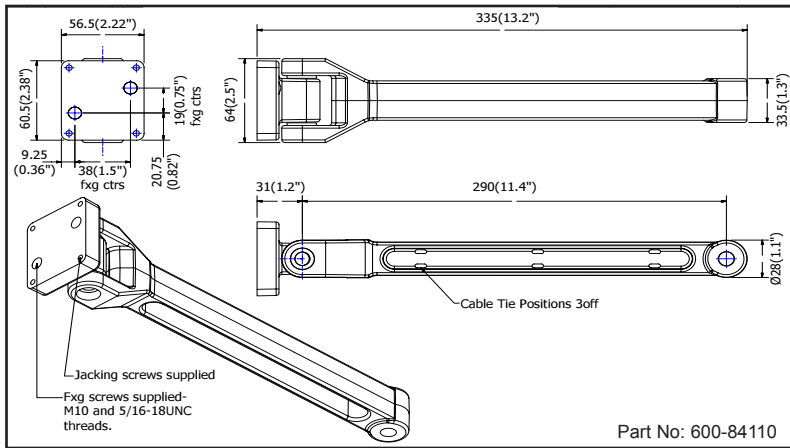
Benefits of Display Mounting Arms

- » Built-in cable management (zip tie points)

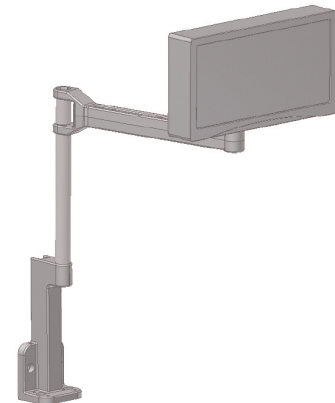
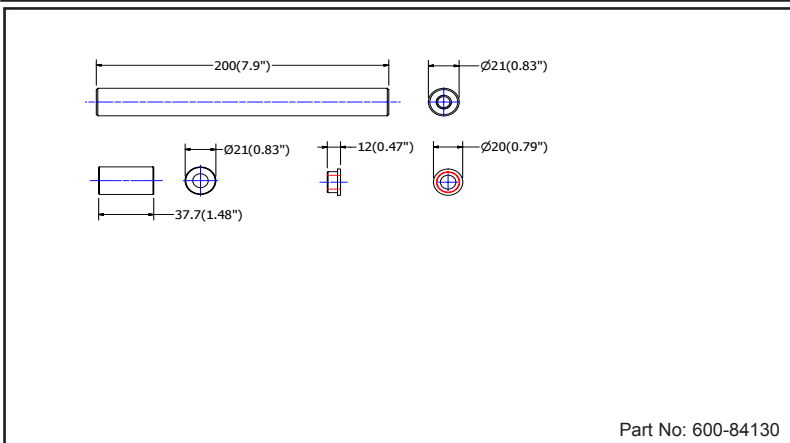
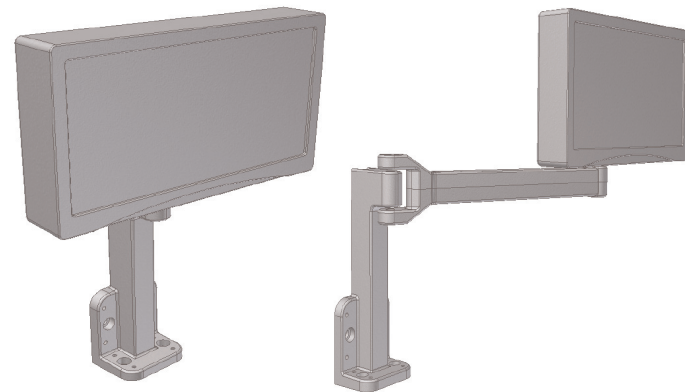
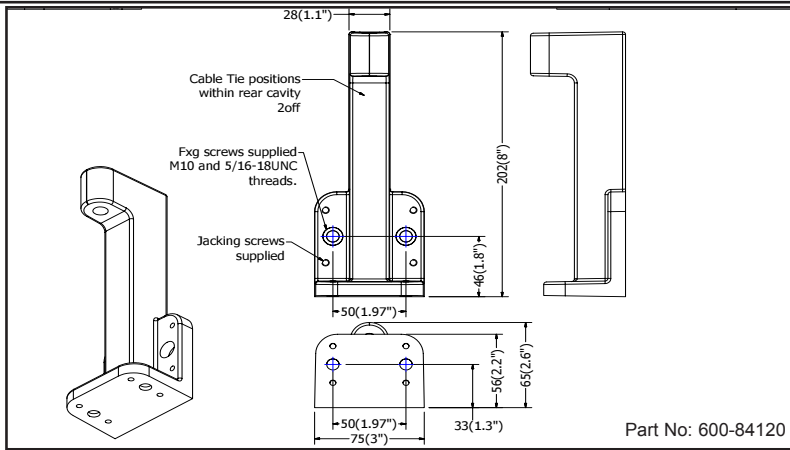
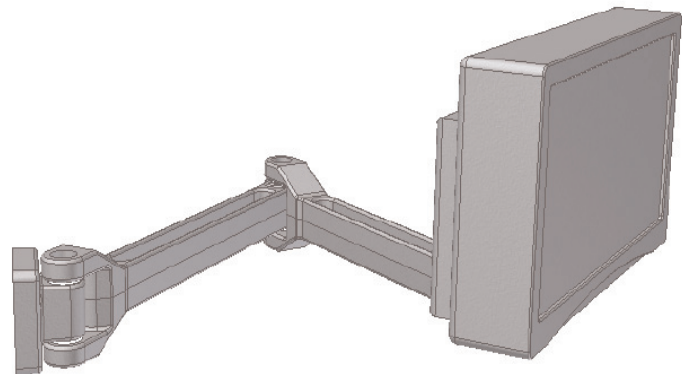
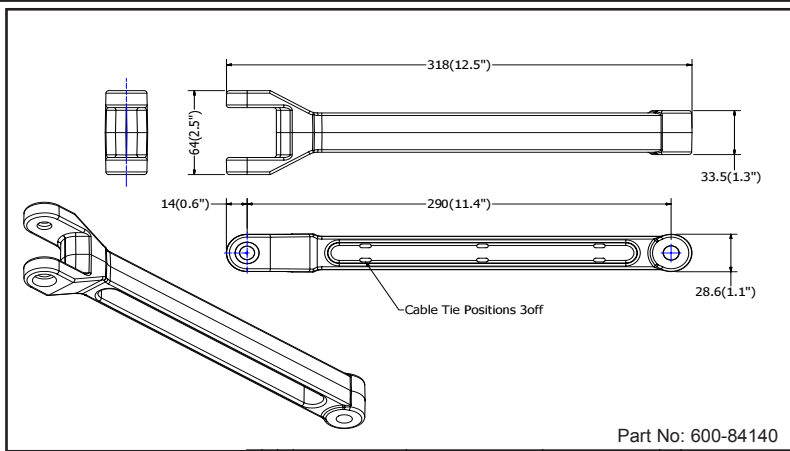
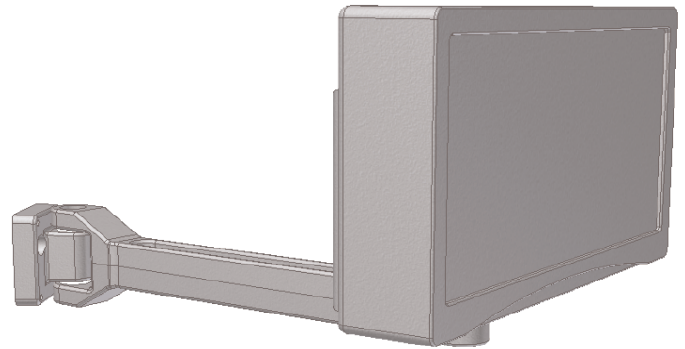


- » All parts are interchangeable
- » Improved overall strength

### Dimensions



### Application of Arms



Newall Measurement Systems, Ltd: Technology Gateway · Cornwall Road · South Wigston · Leicester · LE18 4XH · UK

Tel: +44 (0) 116 264 2730 · Fax: +44 (0) 116 264 2731

Newall Electronics, Inc: 1778 Dividend Drive · Columbus · OH 43228 · USA · Tel: +1 (614) 771 0213 · Fax: +1 (614) 771 0219 · Website: [www.newall.com](http://www.newall.com)

NOTE: Newall Measurement Systems Ltd. reserves the right to change the specification without notice.