

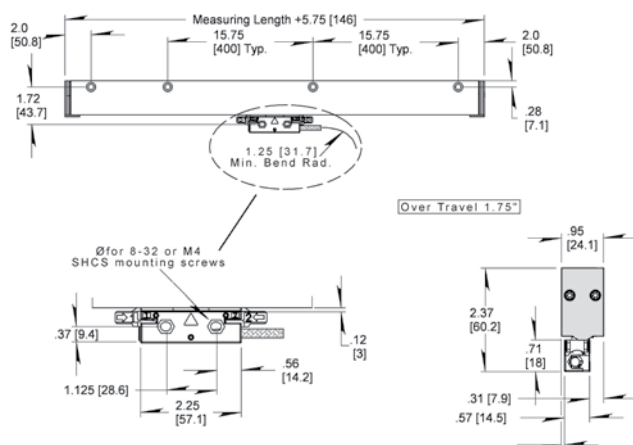
SENC 125 T/E

PRECISION GLASS SCALE

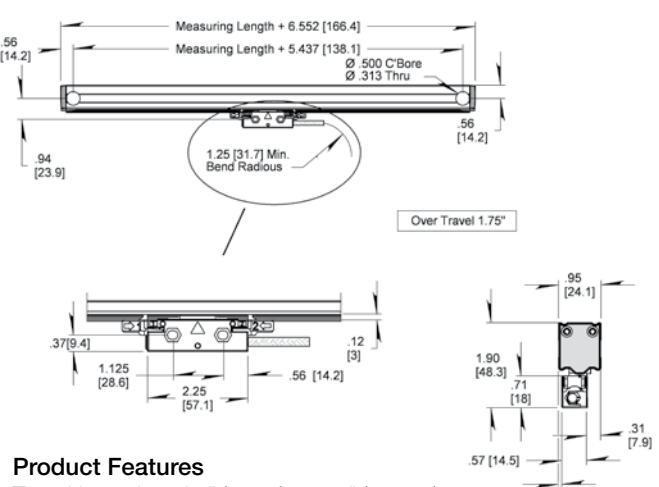


An SENC 125 Precision Glass Scale Linear Encoder withstands the elements of contamination found in even the harshest environment. All ACU-RITE® Precision Glass Scales incorporate our long-standing tradition of quality, reliability, durability and dependability at an affordable price. The SENC 125 Precision Glass Scale is designed to satisfy a wide range of application needs and is available in top (T) and end (E) mount scale configurations.

SENC 125 T Assembly and Mounting Dimensions



SENC 125 E Assembly and Mounting Dimensions



Product Features

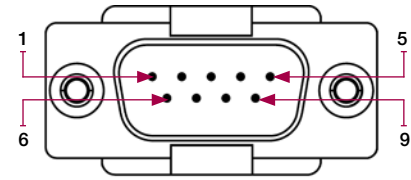
- Travel Lengths of 2" (.05m) - 120" (3.04m)
- Resolution of 5µm (.0002")
- Braided Cable, Flexible Mounting Features
- Durable and Rugged Scale Case

ACU-RITE®

SENC 125 Technical Data

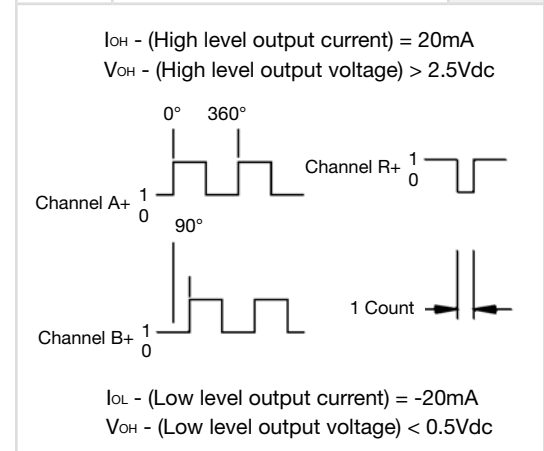
ELECTRICAL SPECIFICATIONS	DIGITAL
Light Source	LED (Light-Emitting Diode)
Operating Voltage (VDC)	5.1 ± 0.1
Operating Current (Max.)	100mA
Output Signals Incremental	Square-Wave Voltage Signals Channels A and B, in 0° Quadrature Relationship
RM	One Square-Wave Signal
Signal Levels	TTL-Level

MECHANICAL SPECIFICATIONS	DIGITAL
Resolution	5 μm
Grating Pitch	20 μm
Scale Medium	Reflective from Nickel-Coated Glass
Accuracy (@20°C) in any 1000mm	± 10μm/m
Max. Slew Speed	30 in/sec
Force Required to Move Reading Head	≤ 0.75 lbs.
Operating Environment Temperature	0° to 40°C
Relative Humidity	20% to 95% (non-condensing)
Storage Environment Temperature	-20° to 65°C
Humidity	20% to 95% (non-condensing)
Weight (lbs)	1.4 + 0.05/in of measuring length
Connecting Cable (Armored or Vinyl)	Measuring Length ≤ 42" = 13 ft. Measuring Length > 42" = 19 ft.
Maximum Cable Length	35 ft.
Measuring Lengths	2 – 120 (T) 2 – 60 (E)
Reference Mark Interval	50mm fixed
Protection (IEC 529)	IP53 when installed as per instructions.



Digital Pin-Outs and Output Signals

PIN	SIGNAL	WIRE
1	No Connect	
2	Channel A+	Green
3	No Connect	
4	Channel B+	Blue
5	No Connect	
6	Ground <i>Power Supply and Signal Return</i>	White
7	Supply Voltage	Brown
8	Channel R+ <i>+ Reference Mark</i>	Pink
9	No Connect	
Shell	Shield	



ACU-RITE®

HEIDENHAIN CORPORATION
 333 East State Parkway
 Schaumburg, IL 60173-5337 USA
 ☎ (847) 490-1191
 📠 (847) 490-3931
 ✉ info@heidenhain.com

www.acu-rite.com